

# TELSTAR DOOR

## MD Series Installation Instructions



207 BUCKY DRIVE, LITITZ, PA 17543  
717-625-2990  
800-433-4047  
Fax 717-625-7095

1. Measure rough opening for correct size (36 x 80"). Verify that the opening is plumb and square.
2. Caulk the outside surface of the building. Caulk bead should be within ½ inch of rough opening. Caulk four sides if the threshold flashing strip will be used. Caulk three sides if the threshold flashing strip is not used.
3. Install the pre-hung door assembly in the rough opening, hinge side facing the installer.



4. Insert pry bar or wood wedge between the bottom of the door and threshold. Gently lift the door until the top door gap is even. Insert wood shims to hold door in place. If door comes equipped with sweep, wedge door from rear or remove sweep to square door.



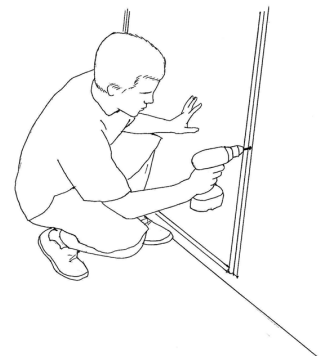
5. Install 2 screws approximately 4 feet apart along the latch side of the door frame.



6. Check for uniform gap between door and frame . Install three screws on the hinge side of the door near the hinge locations.

7. Verify that the door gap is OK all around.

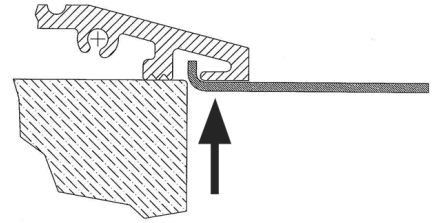
8. Install the remainder of the screws.



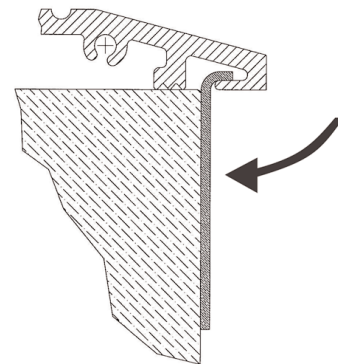
MD100001INST R3

## THRESHOLD FLASHING\* INSTALLATION (Optional)

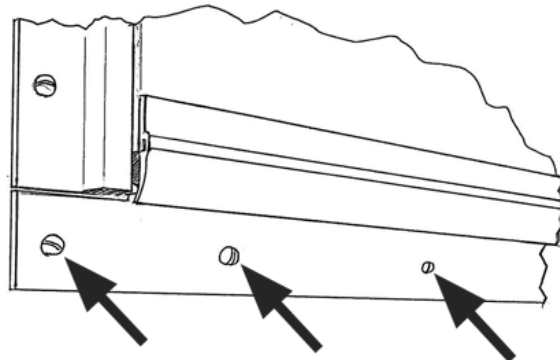
9. Engage the flashing strip\* lip upward into the threshold.



10. While holding the lip in place, rotate strip against wall.



11. Secure with screws.



**Notes:** 1. Seal underside of threshold using silicone sealant if the threshold flashing strip is not used.  
2. For deadbolt installation: use spade bit or chisel if deadbolt throw clearance is needed on rough opening. Use of a hole saw may damage frame.

\* Patent pending.